

SmartWrapper 60 Multi-Purpose DVD/Blu-Ray/CD Polypropylene Overwrap Machine

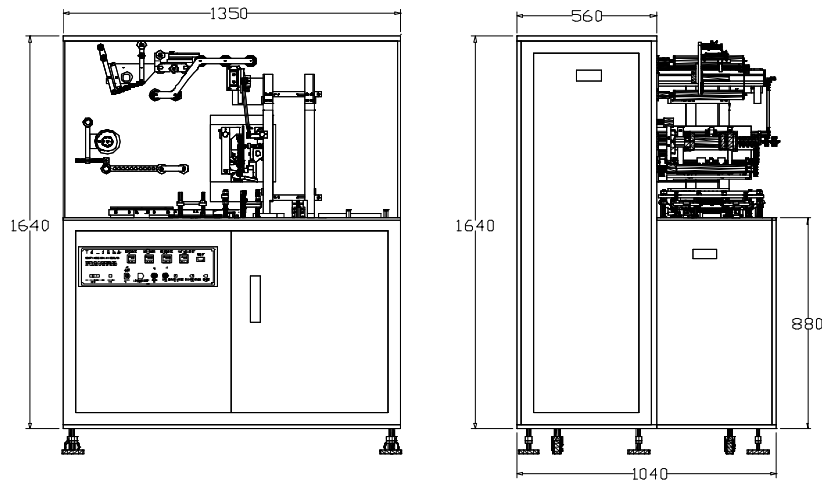


Simple, Stable & Reliable

- * DVD/Blu-Ray/CD Capable
- * Variable Speed
- * Up to 50 ppm Production Rate
- * No-Disc Sensor

Options:

- * Collection Table
- * Infeed Conveyor
- * Spine Labelers
- * Change Parts Available for Custom Sizes



Specifications :

Machine Dimension :	1350 x 1040 x 1640 mm
Power :	220VAC Single Phase 2500W
Motor :	2Hp
Speed :	Adjustable with Max. 50 pcs/min.
Weight (unrated) :	1430 lbs.
Standard Product Size :	Length : 145mm (max.)
	Width : 220mm (max.)
	Height : 30mm (max.)

Please contact us for further information:

Advanced Media Products Inc.

Ph: (866) 991-6100 Fx: (661) 298-7676

www.advancedmediausa.com